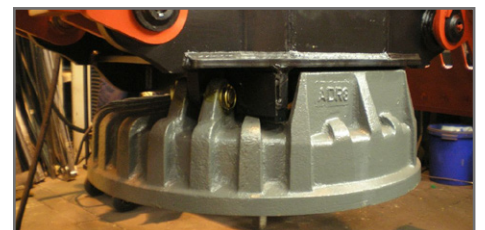
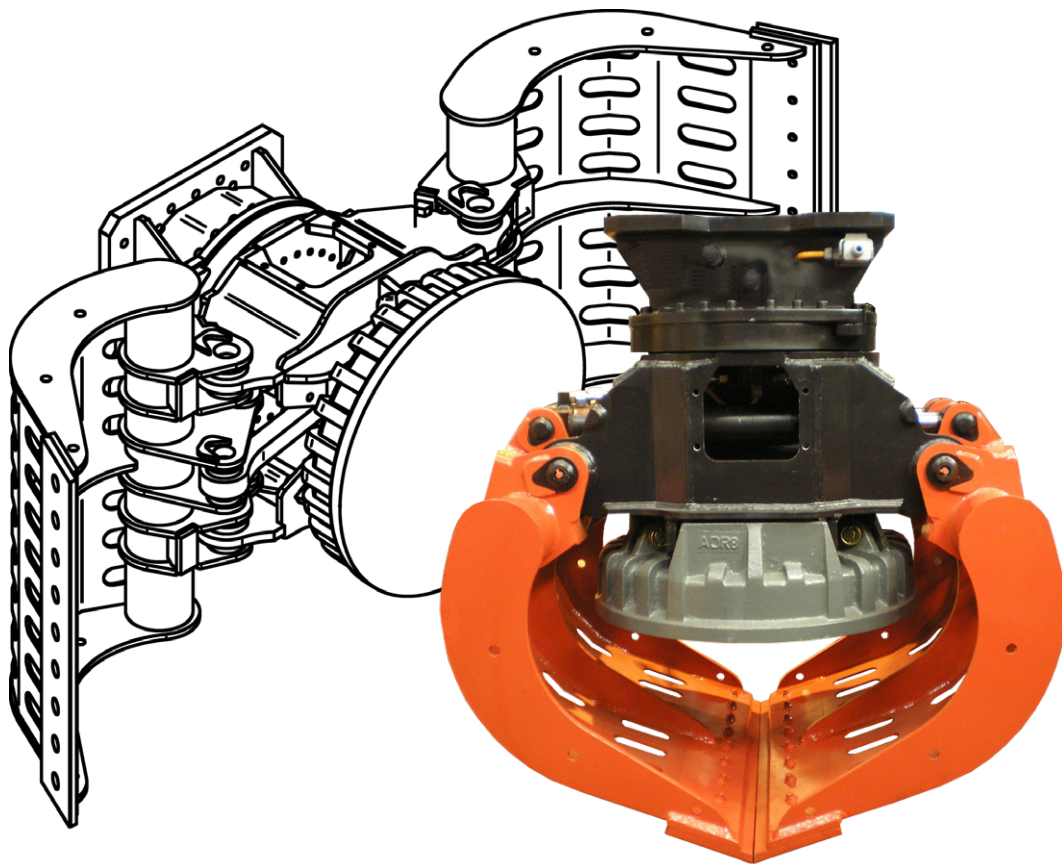




KINSHOFER
crane and excavator attachments

Demolition and Sorting Grab with Solenoid D20H-P-100 Special

Special and Custom Solutions



701035/2013

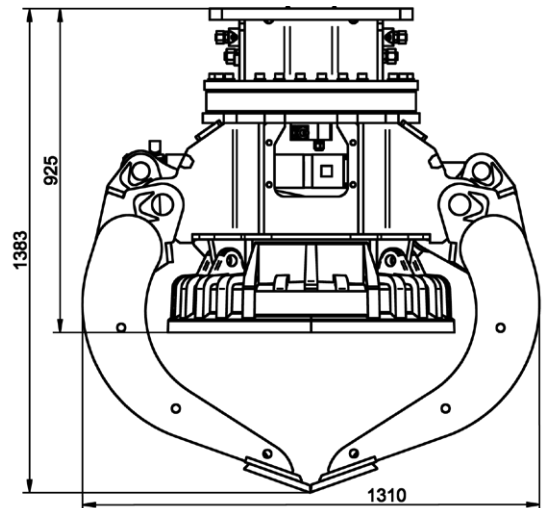
The D20H-P Special from our department for Special and Custom Solutions is based on the design of the proven D20H-P Demolition and Sorting Grab by **KINSHOFER**.

Here, the tool is additionally equipped with a solenoid. The kinematics of the grab has been modified that the solenoid is free towards the ground when the shells are open. Thus the strong solenoid with a diameter of 820 mm / 32.3 in can collect all the pieces.

Due to the especially developed feedthrough with electric slip ring, the grab has an endless rotation.

The integrated non-return valve prevents the unintended opening of the grab in case of a pressure drop.

The grab is ideal for excavators with 14 to 20t / 30,800 to 44,000 lbs operating weight.



TECHNICAL DATA:

Pump capacity: open/close 75 - 150 l/min / 19.8 - 39.6 GPM
rotate 60 l/min / 15.9 GPM

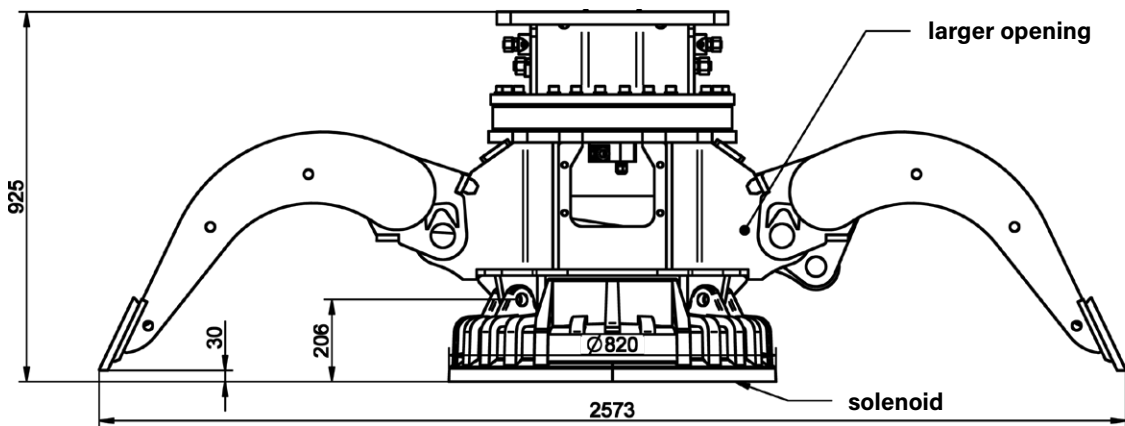
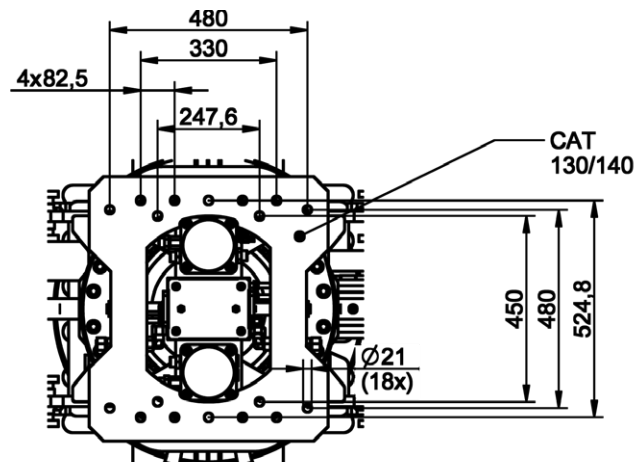
Pressure max.: open/close 32 MPa (320 bar) / 4,610 psi
rotate 17 MPa (170 bar) / 2,450 psi

Closing force: 42 kN / 9,240 lbf

Load capacity: 4,000 kg / 8,800 lbs

Volume: 450 liters / 0.59 c.y.

Weight: 1,520 kg / 3,344 lbs



We reserve the right to amend specifications without prior notice! **KINSHOFER** GmbH, D-83607 Holzkirchen, Germany

KINSHOFER Branches

Headquarters Germany:
KINSHOFER GmbH
Raiffeisenstrasse 12
83607 Holzkirchen
Germany
Tel.: +49 (0) 8021 88 99 0
Email: info@kinshofer.com
www.kinshofer.com



KINSHOFER is an
ISO 9001 certified Company.
DVS ZERT is a registered trademark
of DVS ZERT e.V., Düsseldorf.

