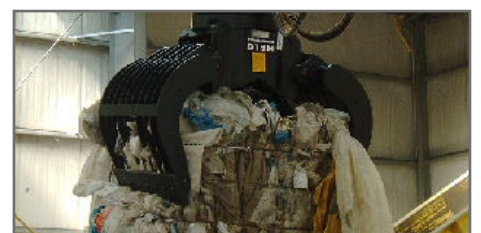




**KINSHOFER**  
crane and excavator attachments

# Demolition and Sorting Grab with integrated CW30 Adapter D15H-P

## Special and Custom Solutions

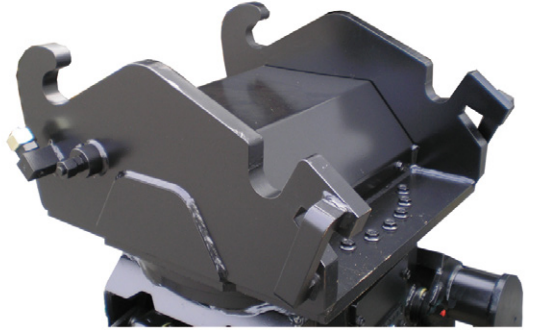


700013/2008

The integrated adapter CW30 on the demolition and sorting grab D15H-P by **KINSHOFER** has crucial advantages over the bolt-on type:

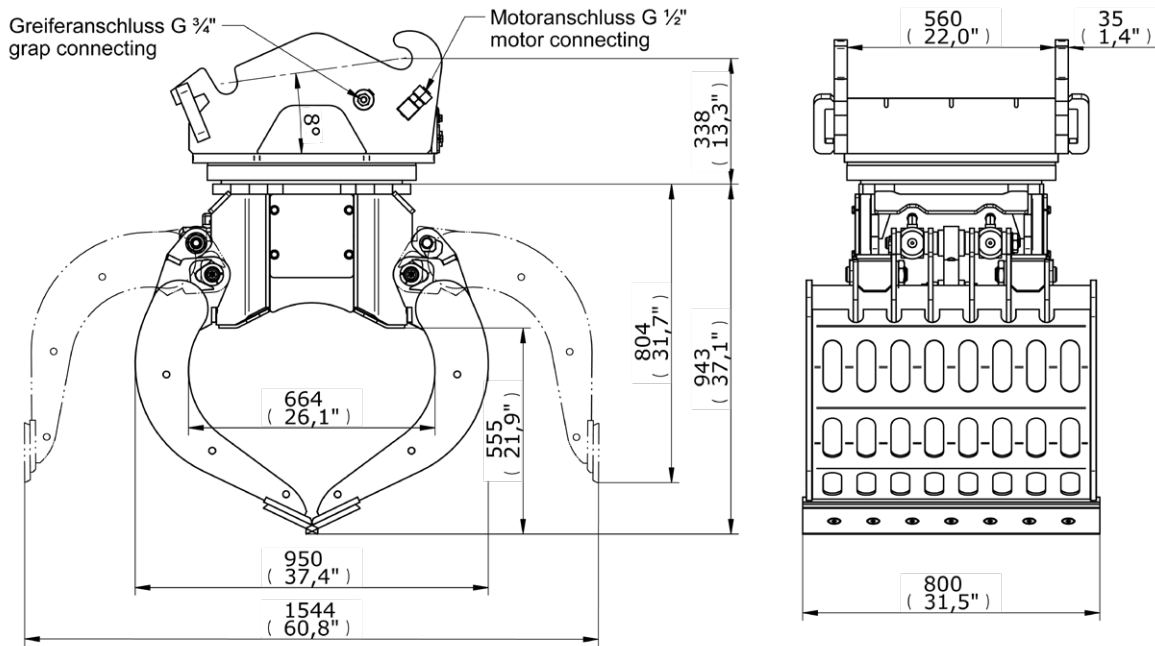
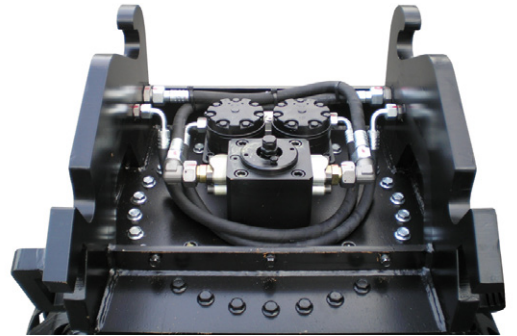
**ADVANTAGES:**

- ▷ Weight savings of up to 100 kg / 220 lbs
- ▷ Desired tilted position of 8° achieved
- ▷ The integrated adapter is 50 mm / 1.97 in lower than the bolt-on type of the standard version
- ▷ no dirt can enter from above into the rotation as it is completely sealed from above



**TECHNICAL DATA:**

**Operating weight:** 10 - 15t / 22,000 - 33,000 lbs  
**Operating pressure:** open/close: 32 MPa (320 bar) / 4,610 psi  
 rotate: 17 MPa (170 bar) / 2,450 psi  
**Axial load max.:** 4,000 kg / 8,800 lbs  
**Torque:** 3,850 Nm at 14 MPa (140 bar) / 2,840 ft.lbs at 2,016 psi  
 5,000 Nm at 17 MPa (170 bar) / 3,688 ft.lbs at 2,450 psi  
**Weight:** approx. 750 kg / 1,650 lbs



We reserve the right to amend specifications without prior notice! **KINSHOFER** GmbH, D-83607 Holzkirchen, Germany

**KINSHOFER** Branches

Headquarters Germany:  
**KINSHOFER** GmbH  
 Raiffeisenstrasse 12  
 83607 Holzkirchen  
 Germany  
 Tel.: +49 (0) 8021 88 99 0  
 Email: info@kinshofer.com  
 www.kinshofer.com



**KINSHOFER** is an ISO 9001 certified Company.  
 DVS ZERT is a registered trademark of DVS ZERT e.V., Düsseldorf.

