

HPXdrive Heavy Duty

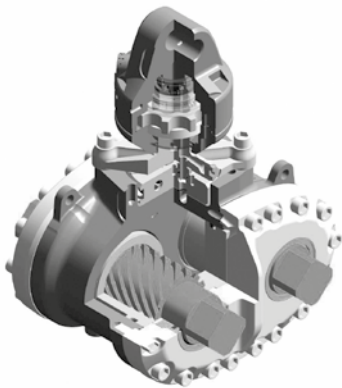
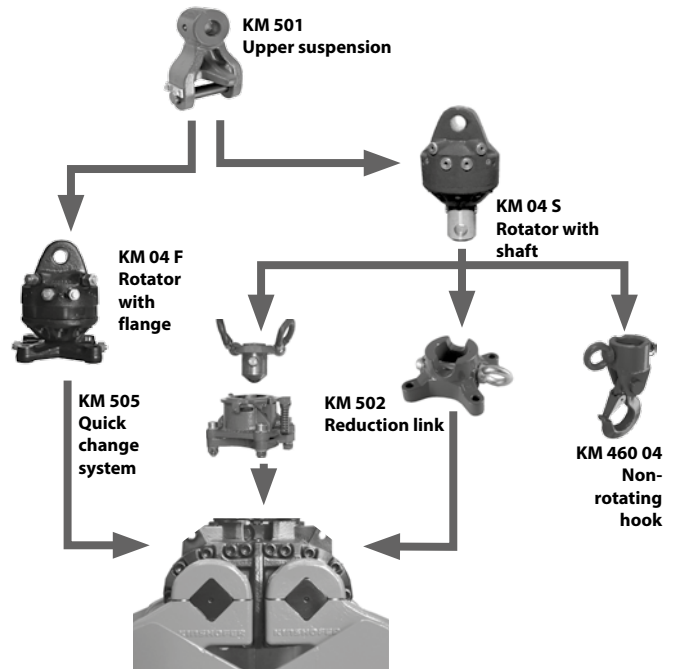
The **HPXdrive Heavy Duty** is a powerful version for difficult tasks. The advantages of the **HPXdrive**-technology – the constant high closing force and the compact design – guarantee a long life and rentability.

The standard rotator of the **HPXdrive Heavy Duty** is the **KINSHOFER** rotator with flange KM 04F140-30V. In case a quick change to a non-rotating hook is necessary, the **HPXdrive** can be delivered with the **KINSHOFER** Rotator with shaft KM 04 S – in combination with the quick change system KM 505 or reduction link KM 502.

Technical Information **HPXdrive Heavy Duty**:

Torque (at 4640 psi):	15488 Nm
Operating pressure:	3750 to 4610 psi
Pump capacity:	10.6 to 23.8 GPM

Drive Unit 605 for Heavy Duty Tasks

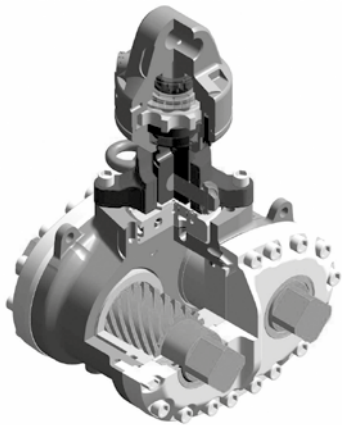


HPXdrive Heavy Duty with Flange Rotator HPX-HD-04F-30V

Package consists of: upper suspension KM 501 4500, rotator KM 04 F140-30V, drive unit **HPXdrive Heavy Duty** with non-return valve

Self weight: 429 lbs

Height: 20 in

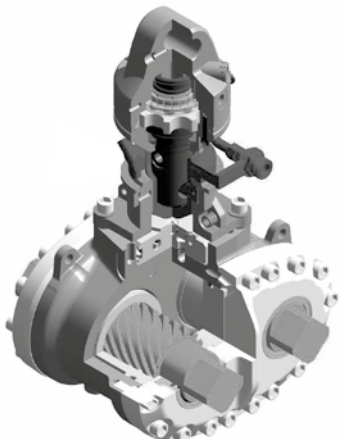


HPXdrive Heavy Duty/502 with Shaft Rotator and Reduction Link HPX-HD-502

Package consists of: upper suspension KM 501 4500, rotator KM 04 S, reduction link KM 502 4500, short connecting hoses KM 203 01, drive unit **HPXdrive Heavy Duty** with non-return valve

Self weight: 440 lbs

Height: 22 in



HPXdrive Heavy Duty/505 with Shaft Rotator and Quick Change System HPX-HD-505

Package consists of: upper suspension KM 501 4500, rotator KM 04 S, quick change system KM 505, short connecting hoses KM 203 01, drive unit **HPXdrive Heavy Duty** with non-return valve

Self weight: 451 lbs

Height: 24 in

Note: for heavy duty tasks we recommend the quick change system KM 505 HD in combination with KM 04 S68-30US

Please note: The drive unit **HPXdrive Heavy Duty** can only be used in combination with **KINSHOFER** Rotator and **KINSHOFER** Shells

We reserve the right to amend specifications without prior notice. **KINSHOFER** GmbH, 83666 Waakirchen, Germany

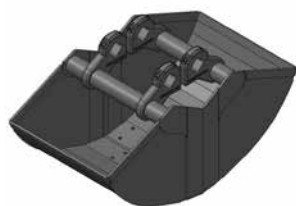
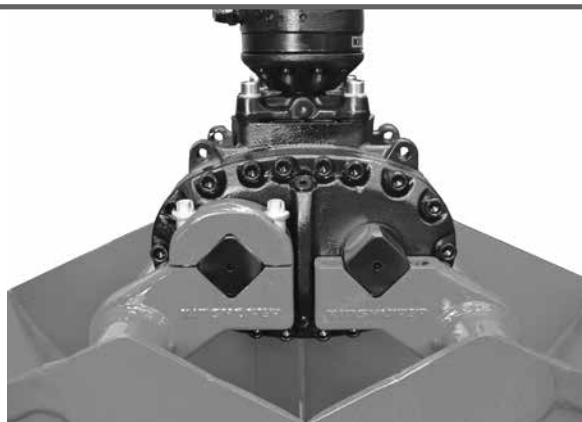
Exchangeable Shells

HPXdrive Heavy Duty

The bucket shells of the **HPXdrive Heavy Duty** are bolted to the shafts, and therefore it is very easy to replace them with another set of shells. Different types of shells for different applications can be refitted onto the driving unit, e.g. clamshell bucket, rock grapple, timber grapple, hay and forestry grapple. Other types of shells are available on request.

The interchangeable shells are delivered with an exchange aid that guarantees that the **HPXdrive Heavy Duty** can be positioned with ease.

Package consists of: exchangeable shells, bolt-on teeth (for KM 605HPX), exchange aid kit



Type	Volume (c.y.)	Width (in)	max. Opening (in)	Number of teeth/tines	Self weight (lbs)
Shells for Heavy Duty Clamshell Bucket – KM 605HPX					
KM 605HPX-200S	0.26	16	56	4	308
KM 605HPX-250S	0.33	20	56	4	374
KM 605HPX-350S	0.46	26	56	6	440
KM 605HPX-450S	0.59	32	56	6	495
KM 605HPX-550S	0.72	39	56	8	583



Type	Volume (c.y.)	Width (in)	max. Opening (in)	Number of teeth/tines	Self weight (lbs)
Shells for Heavy Duty Clamshell Bucket with Open Shells – KM 605U HPX					
KM 605U HPX-300S	0.39	26	61	5 *	528
KM 605U HPX-400S	0.52	32	61	7 *	572
KM 605U HPX-450S	0.59	36	61	7 *	605
KM 605U HPX-500S	0.65	40	61	9 *	649

* optional available with bolt-on teeth



Type	Volume (cords)	Width (in)	max. Opening (in)	Number of teeth/tines	Self weight (lbs)
Shells for Heavy Duty Rock Grapple – KM 613HPX-HD					
KM 613HPX-HD-0,35S	0.23	16	67	-	297



Type	Volume (cords)	Width (in)	max. Opening (in)	Number of teeth/tines	Self weight (lbs)
Shells for Heavy Duty Timber Grapple – KM 632HPX-HD					
KM 632HPX-HD-0,16S	0.11	16	51	-	198



Type	Volume (cords)	Width (in)	max. Opening (in)	Number of teeth/tines	Self weight (lbs)
Shells for Heavy Duty Hay and Forestry Grapple – KM 641HPX-HD					
KM 641HPX-HD-0,4S	0.27	37	68	7	429

Please note: The **HPXdrive** shells can only be used in combination with the drive unit **HPXdrive** and **KINSHOFER** Rotator