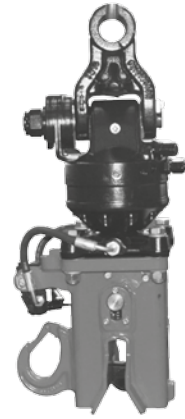


## Hydraulic Hook KM 920-5 for Tools and Loads with Ring System

- Low overall height due to compact design.
- Precise positioning in combination with **KINSHOFER** rotator.
- The safety load hook is equipped with a hydraulic cylinder for opening/closing without opening unintentionally in a loaded condition.
- Suitable for the hydraulic suspension of pallet forks with vertical crane hook suspension or with additional hook (version B) for the fast and precise load suspension with e.g. tightropes, lashing straps, etc. and the following release of the loads (version C w/o additional hook)

Version B with rotator KM 04 F140-30V and upper suspension with pendulum damper KM 511 4500



Type	Width (in)	Load capacity (lbs)	max. Ring - Ø (in)	Height (incl. rotator) (in)	Self weight (lbs)	Operating pressure at oil flow
<b>KM 920-5B c</b>	12.20	9900	1.18	18.90	106	5328 psi at 0.53 - max. 2.64 GPM
<b>KM 920-5C c</b>	12.01	9900	1.18	18.90	103	5328 psi at 0.53 - max. 2.64 GPM

**Package consists of:** hydraulic hook, rotator KM 04 F, short connection hoses KM 203 01, non-return valve

### Technical Drawings



## Hydraulic Hook KM 920-4 for Containers and Loads with Ring System

The hydraulic hook facilitates the fast and precise lifting and loosening of containers and loads with ring system.

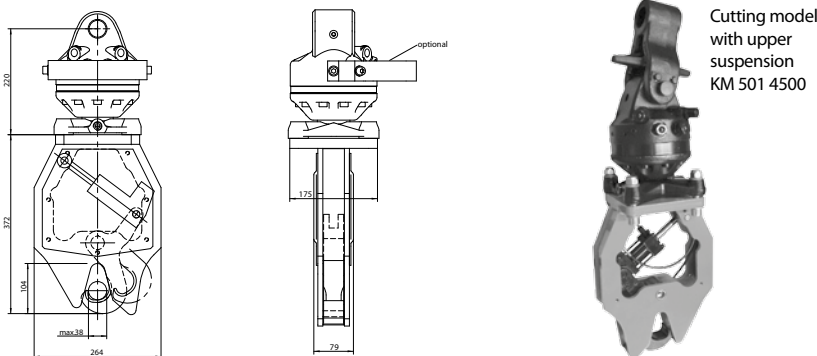
- Precise positioning in combination with **KINSHOFER** rotator.
- Low overall height due to compact design.
- Robust mechanics with hydraulic cylinder (open/close).
- V-shaped cutout facilitates ring suspension.
- Vertical oil duct to recommended rotator without open hydraulic hoses.

Type	Width (in)	Height (incl. rotator) (in)	max. Ring - Ø (in)	Self weight (incl. rotator) (lbs)	max. Load capacity (lbs)	Operating pressure at oil flow
<b>KM 920-4 c</b>	10.39	23.31	1.50	101	5500	⚠ 2880 psi at 0.53 - max. 2.64 GPM

**Package consists of:** hydraulic hook, rotator KM 04 F140-30V, non-return valve



### Technical Drawings



Cutting model with upper suspension KM 501 4500

### Accessories

Type	Description
<b>KM 501 4500</b>	upper suspension - load capacity 4500 kg
<b>KM 206</b>	hose guard
<b>KM 980-5</b>	switch valve kit (for the combination KM 920-5 with KM 461)