

Grapples for **NOX**

Especially adapted to TR06NOX, TR10NOX and TR19NOX there are different attachments available. As a specialist in development and construction of excavator attachments, **KINSHOFER** offers a range of multi purpose grabs and demolition and sorting grabs – both can be used for more than one specific job.

In combination with the **NOX** Tiltrotators, a large variety of possibilities is provided to make your carrier machine work more efficiently - in more than 3 dimensions ...

Find different tool examples on the next pages.



C-Series Clamshell Buckets / A-Series Multi Purpose Grabs / D-Series Selector Grabs

Type	Width E (mm/in)	Opening (w/o teeth) A (mm/in)	Volume (liter/c.y.)	Height C max. (mm/in)	Height C min. (mm/in)	Weight* (kg/lbs)	Load capacity (kg/lbs)	Closing force** (kN/lbf)	Excavator operating weight (t/lbs)
C07TR HPX	600 / 23.6	1170 / 46.1	170 / 0.22	670 / 26.4	395 / 15.6	325 / 715	3000 / 6600	22 / 4840	3-7 / 6600-15400
C11TR-40 HPX	400 / 15.7	1310 / 51.6	145 / 0.19	730 / 28.7	410 / 16.1	265 / 583	3000 / 6600	22 / 4840	5-11 / 11000-24200
C11TR-60 HPX	600 / 23.6	1310 / 51.6	220 / 0.29	730 / 28.7	410 / 16.1	315 / 693	3000 / 6600	22 / 4840	5-11 / 11000-24200
A06TR	400 / 15.7	1480 / 58.3	70 / 0.09	695 / 27.4	630 / 24.8	190 / 418	2000 / 4400	21 / 4620	3-6 / 6600-13200
A07TR HPX	400 / 15.7	1530 / 60.2	100 / 0.13	900 / 35.4	560 / 22.0	285 / 627	1000 / 2200	19 / 4180	3-7 / 6600-15400
A11TR HPX	500 / 19.7	1650 / 65.0	200 / 0.26	1030 / 40.6	580 / 22.8	355 / 781	2500 / 5500	14 / 3080	5-11 / 11000-24200
A18TR	600 / 23.6	1870 / 73.6	260 / 0.34	1220 / 48.0	1120 / 44.1	480 / 1056	3000 / 6600	30 / 6600	9-18 / 19800-39600
D07TR HPX	400 / 15.7	950 / 37.4	60 / 0.08	620 / 24.4	355 / 14.0	253 / 557	1000 / 2200	26 / 5720	3-7 / 6600-15400
D11TR-50 HPX	500 / 19.7	1400 / 55.1	125 / 0.16	840 / 33.1	410 / 16.1	306 / 673	1000 / 2200	18 / 3960	5-11 / 11000-24200
D11TR-60 HPX	600 / 23.6	1400 / 55.1	200 / 0.26	840 / 33.1	410 / 16.1	355 / 781	1000 / 2200	18 / 3960	5-11 / 11000-24200
D18TR-60	600 / 23.6	1555 / 61.2	225 / 0.29	1000 / 39.4	850 / 33.5	390 / 858	3000 / 6600	36 / 7920	9-18 / 19800-39600
D18TR-84	840 / 33.1	1890 / 74.4	380 / 0.50	1195 / 47.0	1000 / 39.4	730 / 1606	5000 / 11000	42 / 9240	9-18 / 19800-39600

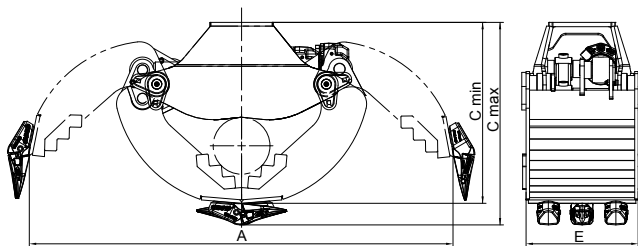
* weight w/o quick change adapter and hydraulic hoses ** at 26 MPa (260 bar) / 3744 psi

Requirements of Excavator

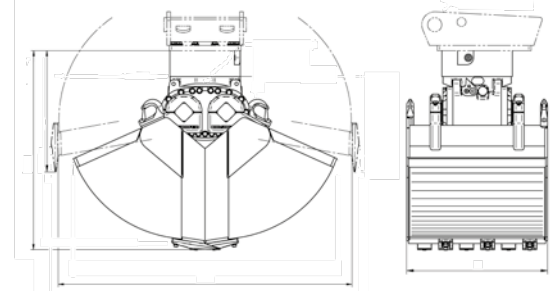
	C07TR HPX / C11TR HPX	A06TR	A07TR HPX / A11TR HPX D07TR HPX / D11TR HPX	A18TR D18TR
Operating pressure:	max. 32 MPa (320 bar) / 4608 psi	max. 24 MPa (240 bar) / 3456 psi	max. 32 MPa (320 bar) / 4608 psi	max. 32 MPa (320 bar) / 4608 psi
Pump capacity:	40 - 120 l/min / 10.6 - 31.7 GPM	25 - max. 75 l/min / 6.6 - max. 19.8 GPM	25 - 60 l/min / 6.6 - 15.9 GPM	50 - 100 l/min / 13.2 - 26.4 GPM

Technical Drawings

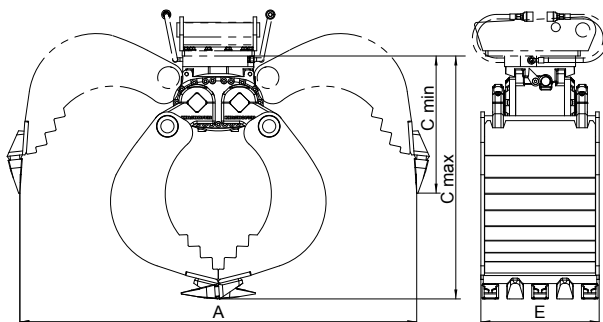
A06TR



C11TR HPX



A11TR HPX



D18TR

