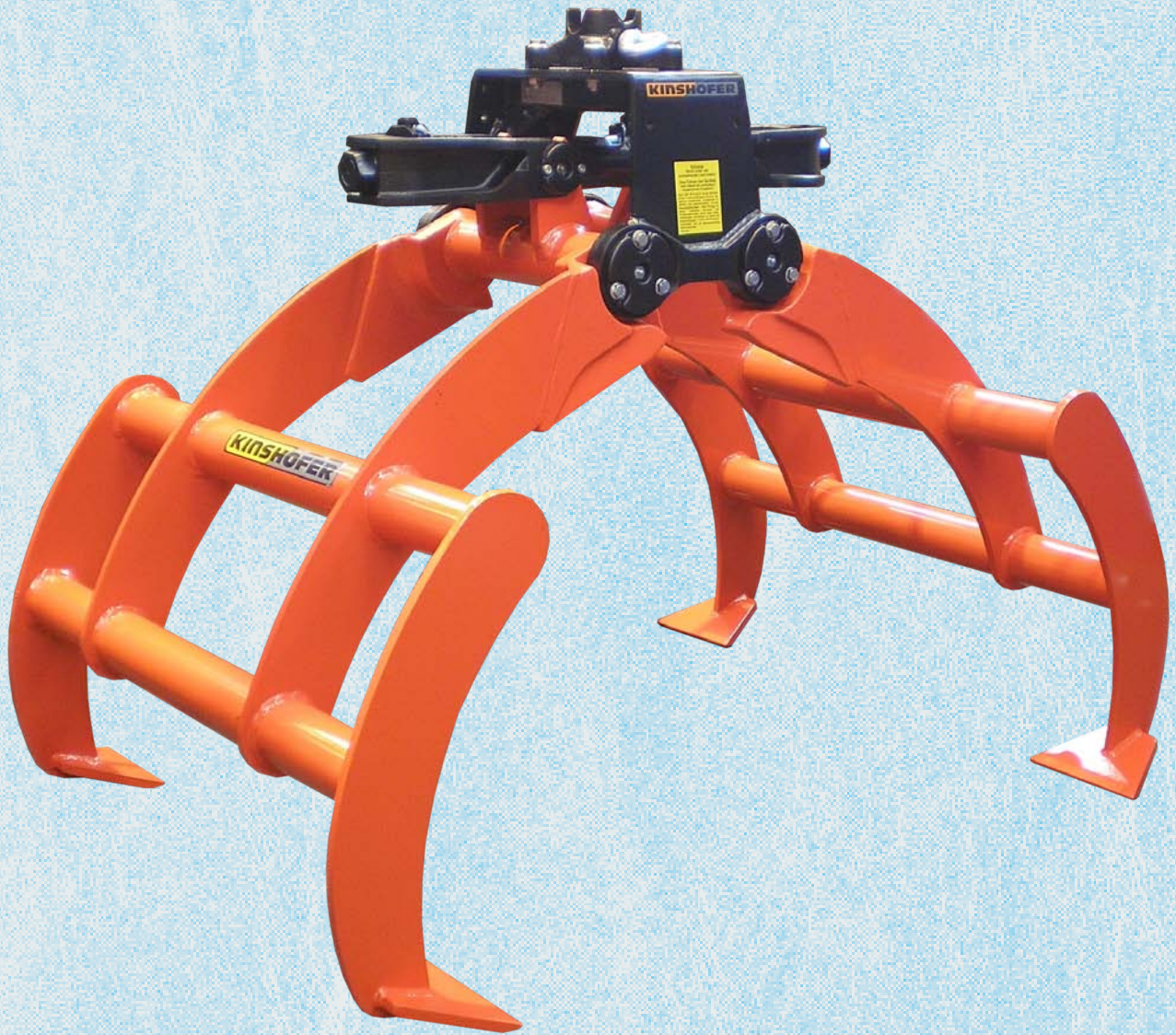


KINSHOFER

NEWS
Special and Custom
Solutions

KM 611 Panel Grapple



www.kinshofer.com



KINSHOFER
crane and excavator attachments

700725/2012

KM 611

Panel Grapple

At each construction site you will have the situation sooner or later that you have to handle large metal or wooden panels to cover up openings in the ground or to make silted access routes fit for traffic. Thanks to the new KM 611 panel grapple, the loading and handling of these heavy, bulky panels is no problem at all. Due to the mounted **KINSHOFER** rotator, the precise positioning is guaranteed.

The grapple has been designed to handle panels with a width of 1000 - 2000 mm. The loading capacity is 3000 kg.

The integrated non-return valve guarantees the secure retention of loads even in case of a pressure drop.



Technical Data:

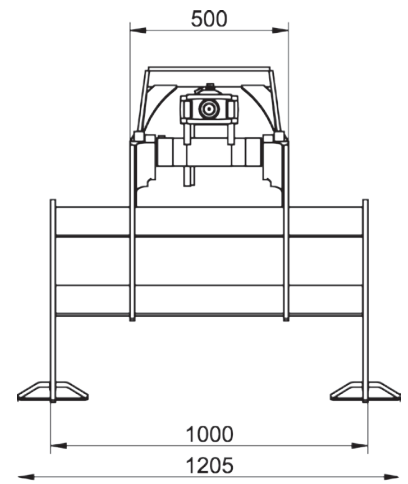
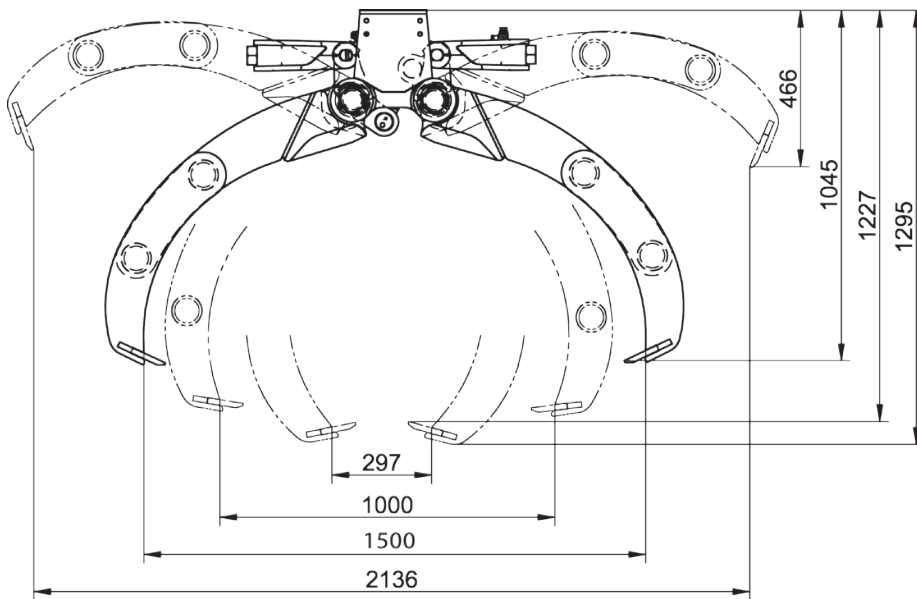
Pump capacity: 25-75 l/min

Closing force: 14 kN

Operating pressure: max. 320 bar

Load capacity: 3000 kg

Self weight: 305 kg



More special and custom solutions can be found on our website under „Downloads“, „Products“ or the „Product News Archive“. You also have the possibility to apply for our newsletter on our website under „Service“.

We reserve the right to amend specifications without prior notice! **KINSHOFER** GmbH, D- 83666 Waakirchen, Germany

Hauptsitz Deutschland:
KINSHOFER GmbH
Hauptstrasse 76
83666 Waakirchen
Tel.: +49 (0)8021 – 88 99 0
Fax: +49 (0)8021 – 88 99 37
Email: info@kinshofer.com

United Kingdom:
KINSHOFER UK Ltd.
4 Milton Industrial Court
Horsfield Way, Bredbury
Stockport, Cheshire, SK6 2TA
Tel.: +44 (0)161 – 406 7046
Fax: +44 (0)161 – 406 7014
Email: sales@kinshofer.co.uk

France:
KINSHOFER France S.A.R.L.
B.P. 20100
F-67213 Obernai Cedex
Tel.: +33(0) 3 88 39 55 00
Fax: +33(0) 3 88 79 06 75
Email: info@kinshofer.fr

North America:
KINSHOFER North America
5040 Mainway Drive, Unit #11
Burlington, ON L7L 7G5
Tel.: +1 (905) 335 2856
Fax: +1 (905) 335 4529
Toll Free (North America):
+1 (800) 268 9525
Email: sales-northamerica@kinshofer.com

Česká Republika a Slovinsko:
KINSHOFER CZ s.r.o.
Cs. Legii 568
CZ-37810 Ceske Velenice
Tel.: +420 384 – 795 110
Fax: +420 384 – 795 120

Suomi:
KINSHOFER APONOX Oy
Terminaalitie 10
FI-13430 Hämeenlinna
Tel.: +358 (0)75 7540 200
Fax: +358 (0)75 7540 210
Email: info@kinshofer-aponox.com
Website: www.kinshofer-aponox.com

Zhong Guo:
KINSHOFER Construction Machinery Co. Ltd.
Unit #306, Landmark Tower 2
8 Dongsanhuan Road
Beijing 100004
Tel.: +86 (10) 6590 6422
Fax: +86 (10) 6590 6423
Email: info@darda.com.cn
Website: www.darda.com.cn

Sverige:
RF-System AB
Industrigatan 16
SE-288 32 Vinslöv
Tel.: +46 (0)44 817 07
Fax: +46 (0)44 859 63
E-mail: info@rf-system.se
Web: www.rf-system.se

Agencja Generalna ds. Polska:
ADMB POLSKA - Dawid Sypień
Zarzecze ul.T.Kościuszki 105
32-340 Wolbrom
Tel.: +48 608 135 320
Fax: +48 32 6465 187
E-mail: dawidsypien@admb.pl
Web: www.kinshofer.com.pl

Generalvertretung voor Benelux:
Rigter Handelsonderneming B.V.
Nieuwe Maatsweg 7
NL-3755 NP Eemnes
Tel.: +31 (0) 35 53 10628
Fax: +31 (0) 35 53 17462
Mobil: +31 (0) 653 - 370935
+31 (0) 651 - 366420
Email: gf.rigter@gmail.com
Email: kees.rigter@gmail.com

www.kinshofer.com

KINSHOFER is an ISO 9001 certified Company.
DVS ZERT is a registered trademark of
DVS ZERT e.V., Düsseldorf.

Up front, everywhere

KINSHOFER
crane and excavator attachments