

Earth Drills 1-5t / 2,200-11,000lbs

**X1500 / X2000 / X2500 /
3000MAX / 3500MAX / 4500MAX**

The robust earth drills for micro and mini excavators from 1t / 2,200lbs to 5t / 11,000lbs operating weight are an economical and customized solution for drilling holes for e.g. fencing, road signage, landscaping and tree planting. Well borings, screw pile installations and sound barrier installations are also no problem for the earth drills.

- ▷ **Non Dislodgement Shaft (NDS)** for more safety and lower down times, as this unique construction prevents the output shaft from dislodgement.
- ▷ **Pre-filled with a colored gear oil.** Not only is the use of a colored oil a good indicator of correct service, but it also aids identifying possible hydraulic oil leaks.
- ▷ The heavy duty fabricated hoods feature **forged steel ears**; these high strength ears easily transmit the high torsional loads, experienced whilst drilling, without becoming fatigued.
- ▷ **Easy access oil service points.**



Request? exc@kinshofer.com

Earth Drills X1500 / X2000 / X2500 / 3000MAX / 3500MAX / 4500MAX

Type	Operating weight (t/lbs)	Shaft (mm/in)	Rotations (/min)	Height (mm/in)	Diameter (mm/in)	Weight (kg/lbs)	Matching augers
X1500	1 - 2 / 2,200 - 4,400	65 / 2.5 round	44 - 98	585 / 23	200 / 7.8	46 / 101	S4 100 - 400
X2000	1 - 2.5 / 2,200 - 5,500	65 / 2.5 round	43 - 99	585 / 23	200 / 7.8	47 / 103	S4 100 - 450
X2500	1.5 - 3 / 3,300 - 6,600	65 / 2.5 round	36 - 87	585 / 23	200 / 7.8	48 / 105	S4 100 - 500
3000MAX	2 - 4 / 4,400 - 8,800	65 / 2.5 round	36 - 100	665 / 26	244 / 9.6	71 / 156	S4 100 - 600
3500MAX	2.5 - 4.5 / 5,500 - 9,900	65 / 2.5 round	42 - 90	665 / 26	244 / 9.6	73 / 160	S4 100 - 750
4500MAX	3 - 5 / 6,600 - 11,000	65 / 2.5 round	43 - 81	665 / 26	244 / 9.6	75 / 165	S4 100 - 900

Package consists of: earth drill

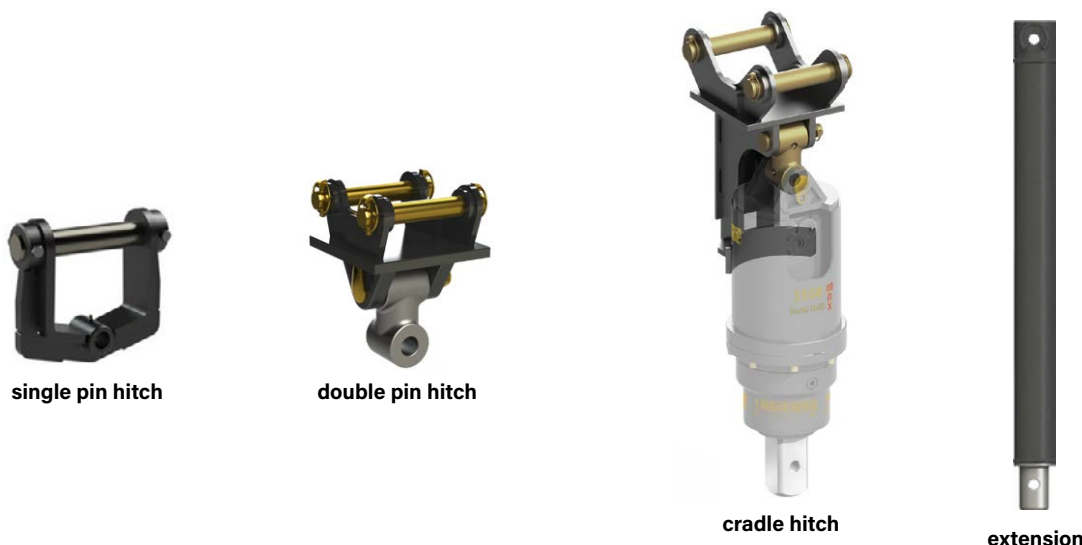
Accessories

Type	Description
S4 Ext-E 500	extension for X1500 to 4500MAX and S4 augers - 500mm/19.6in length
S4 Ext-E 1000	extension for X1500 to 4500MAX and S4 augers - 1,000mm/39.3in length
S4 TeleExt-E 1000	telescopic extension for X1500 to 4500MAX and S4 augers - 1,000mm/39.3in length
single pin hitch	for earth drills X1500 to 4500MAX
double pin hitch	for earth drills X1500 to 4500MAX
cradle hitch	for earth drills X1500 to 4500MAX

Technical data

Type	X1500	X2000	X2500	3000MAX	3500MAX	4500MAX
Hydr. pressure:	70 - 205 bar 1,015 - 2,970 psi	70 - 240 bar 1,015 - 3,480 psi	70 - 240 bar 1,015 - 3,480 psi	80 - 240 bar 1,160 - 3,480 psi	80 - 240 bar 1,160 - 3,480 psi	80 - 240 bar 1,160 - 3,480 psi
Oil flow:	20 - 45 l/min 5 - 11.8 GPM	25 - 57 l/min 6.5 - 15 GPM	27 - 65 l/min 7.1 - 17.2 GPM	27 - 75 l/min 7.1 - 20 GPM	40 - 85 l/min 10.5 - 22.5 GPM	50 - 95 l/min 13 - 25.1 GPM
Torque range:	511 - 1,496 Nm 376 - 1,103 ft.lbs	639 - 2,190 Nm 471 - 1,615 ft.lbs	830 - 2,847 Nm 612 - 2,099 ft.lbs	959 - 2,877 Nm 707 - 2,121 ft.lbs	1,205 - 3,614 Nm 888 - 2,665 ft.lbs	1,500 - 4,499 Nm 1,106 - 3,318 ft.lbs

Options and accessories



single pin hitch

double pin hitch

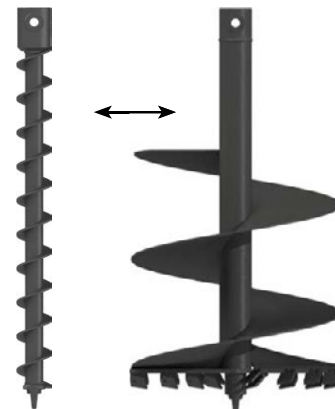
cradle hitch

extension

The S4 auger is perfectly matched to the earth drills and every task. A constant spiral configuration and a shallow pitch flight guarantee extreme efficiency and productivity.

Suitable for mini excavators from 1t / 2,200lbs to 5t / 11,000lbs operating weight, mini loaders and skidsteer loaders up to 80 PS.

- ▷ **Higher productivity** by constant spiral configuration and the perfectly angled tooth holder.
- ▷ **Interchangeable pilots and teeth** allow for differing ground conditions.
- ▷ **Easy fitting of teeth and pilots.**
- ▷ **Patented Shock Lock-System:** incorporating a shock absorbing rubber element to protect the tungsten carbide on the tooth assembly coupled with a solid locking pin to prevent tooth loss.
- ▷ **High flexibility** thanks to different auger extensions.



S4 Augers (specify choice of pilot and teeth when ordering)

Type	Diameter (mm/in)	Spiral length (mm/in)	Total length (mm/in)	Connection (mm/in)	Weight (kg/lbs)	Number of teeth	Tooth type
S4-100-E Earth					17 / 37.4	0	Earth
S4-100-E Tungsten	100 / 3.9	950 / 37.4	1,200 / 47.2	65 / 2.5 round	17 / 37.4	0	Tungsten
S4-100-E Extra-Dig					17 / 37.4	0	Extra-Dig*
S4-150-E Earth					21 / 46.2	2	Earth
S4-150-E Tungsten	150 / 5.9	780 / 30.7	1,200 / 47.2	65 / 2.5 round	22 / 48.4	2	Tungsten
S4-150-E Extra-Dig					22 / 48.4	2	Extra-Dig*
S4-200-E Earth					24 / 52.8	2	Earth
S4-200-E Tungsten	200 / 7.8	750 / 29.5	1,200 / 47.2	65 / 2.5 round	24 / 52.8	2	Tungsten
S4-200-E Extra-Dig					24 / 52.8	2	Extra-Dig*
S4-225-E Earth					27 / 59.4	2	Earth
S4-225-E Tungsten	225 / 8.8	750 / 29.5	1,200 / 47.2	65 / 2.5 round	28 / 61.6	2	Tungsten
S4-225-E Extra-Dig					27 / 59.4	2	Extra-Dig*
S4-250-E Earth					27 / 59.4	3	Earth
S4-250-E Tungsten	250 / 9.8	700 / 27.5	1,200 / 47.2	65 / 2.5 round	28 / 61.6	3	Tungsten
S4-250-E Extra-Dig					28 / 61.6	3	Extra-Dig*
S4-300-E Earth					32 / 70.4	4	Earth
S4-300-E Tungsten	300 / 11.8	700 / 27.5	1,200 / 47.2	65 / 2.5 round	33 / 72.6	4	Tungsten
S4-300-E Extra-Dig					32 / 70.4	4	Extra-Dig*
S4-350-E Earth					35 / 77	4	Earth
S4-350-E Tungsten	350 / 13.7	675 / 26.5	1,200 / 47.2	65 / 2.5 round	36 / 79.2	4	Tungsten
S4-350-E Extra-Dig					36 / 79.2	4	Extra-Dig*
S4-400-E Earth					38 / 83.6	5	Earth
S4-400-E Tungsten	400 / 15.7	625 / 24.6	1,200 / 47.2	65 / 2.5 round	39 / 85.8	5	Tungsten
S4-400-E Extra-Dig					38 / 83.6	5	Extra-Dig*
S4-450-E Earth					42 / 92.4	6	Earth
S4-450-E Tungsten	450 / 17.7	625 / 24.6	1,200 / 47.2	65 / 2.5 round	63 / 138.6	6	Tungsten
S4-450-E Extra-Dig					63 / 138.6	6	Extra-Dig*
S4-500-E Earth					48 / 105.6	6	Earth
S4-500-E Tungsten	500 / 19.6	625 / 24.6	1,200 / 47.2	65 / 2.5 round	48 / 105.6	6	Tungsten
S4-500-E Extra-Dig					48 / 105.6	6	Extra-Dig*
S4-600-E Earth					54 / 118.8	8	Earth
S4-600-E Tungsten	600 / 23.6	600 / 23.6	1,200 / 47.2	65 / 2.5 round	56 / 123.2	8	Tungsten
S4-600-E Extra-Dig					55 / 121	8	Extra-Dig*
S4-750-E Earth					70 / 154	9	Earth
S4-750-E Tungsten	750 / 29.5	525 / 20.6	1,200 / 47.2	65 / 2.5 round	71 / 156.2	9	Tungsten
S4-750-E Extra-Dig					71 / 156.2	9	Extra-Dig*
S4-800-E Earth					76 / 167.2	10	Earth
S4-800-E Tungsten	800 / 31.4	525 / 20.6	1,200 / 47.2	65 / 2.5 round	76 / 167.2	10	Tungsten
S4-800-E Extra-Dig					76 / 167.2	10	Extra-Dig*
S4-900-E Earth					87 / 191.4	10	Earth
S4-900-E Tungsten	900 / 35.4	525 / 20.6	1,200 / 47.2	65 / 2.5 round	88 / 193.6	10	Tungsten
S4-900-E Extra-Dig					88 / 193.6	10	Extra-Dig*

* Extra-dig = tungsten-teeth and extra-dig pilot

Earth Drills 4.5-8t / 9,900-17,600lbs

5500MAX / 7000MAX / 8000MAX

The robust earth drills for excavator from 5t / 11,000lbs to 8t / 17,600lbs operating weight are an economical and customized solution for drilling holes for e.g. fencing, road signage, landscaping and tree planting. Well borings, screw pile installations and sound barrier installations are also no problem for the earth drills. The earth drills are also suitable for backhoes.

- ▷ **Non Dislodgement Shaft (NDS)** for more safety and lower down times, as this unique construction prevents the output shaft from dislodgement.
- ▷ **Pre-filled with a colored gear oil.** Not only is the use of a colored oil a good indicator of correct service, but it also aids identifying possible hydraulic oil leaks.
- ▷ The heavy duty fabricated hoods feature **forged steel ears**; these high strength ears easily transmit the high torsional loads, experienced whilst drilling, without becoming fatigued.
- ▷ **Easy access oil service points.**



Request? exc@kinshofer.com

Earth Drills 5500MAX / 7000MAX / 8000MAX

Type	Operating weight (t/lbs)	Shaft (mm/in)	Rotations (RPM)	Height (mm/in)	Diameter (mm/in)	Weight (kg/lbs)	Matching augers
5500MAX	4.5 - 7 / 9,900 - 15,400	75 / 2.9 square	30 - 87	780 / 30.7	269 / 10.5	108 / 237.6	S5 150 - 750
7000MAX	5 - 7 / 11,000 - 15,400	75 / 2.9 square	36 - 81	780 / 30.7	269 / 10.5	112 / 246.4	S5 150 - 900
8000MAX	6 - 8 / 13,200 - 17,600	75 / 2.9 square	33 - 70	780 / 30.7	269 / 10.5	116 / 255.2	S5 150 - 1000

Package consists of: earth drill

Accessories

Type	Description
S5 Ext-E 1000	extension for earth drills and S5 augers – 1,000mm/39.3in Länge
S5 Ext-E 1500	extension for earth drills and S5 augers – 1,500mm/59in Länge
S5 Ext-E 2000	extension for earth drills and S5 augers – 2,000mm/78.7in Länge
S5 TeleExt-E 1500	telescopic extension for earth drills and S5 augers from diameter 300mm/11.8in – 1,500mm/59in length
S5 TeleExt-E 2000	telescopic extension for earth drills and S5 augers from diameter 300mm/11.8in – 2,000mm/78.7in length
single pin hitch	for earth drills
double pin hitch	for earth drills
cradle hitch	for earth drills

Technical data

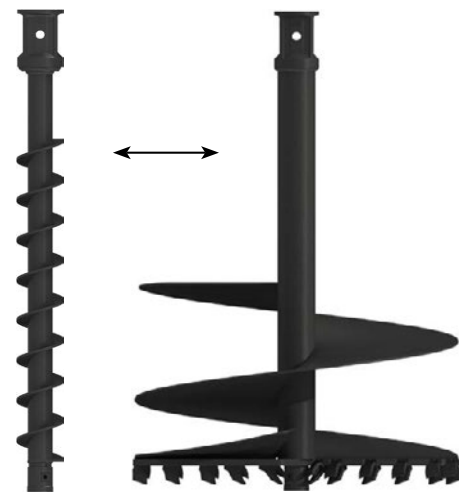
Type	5500MAX	7000MAX	8000MAX
Hydraulic pressure:	80 - 260 bar / 1,160 - 3,770 psi	80 - 260 bar / 1,160 - 3,770 psi	80 - 260 bar / 1160 - 3770 psi
Oil flow:	40 - 115 l/min / 10.5 - 30.3 GPM	60 - 135 l/min / 16 - 35.6 GPM	70 - 150 l/min / 18.5 - 40 GPM
Torque range:	1,685 - 5,477 Nm / 1,242 - 4,039 ft.lbs	2,133 - 6,931 Nm / 1,573 - 5,111 ft.lbs	2,717 - 8,152 Nm / 2,003 - 6,012 ft.lbs

Options and accessories



The S5 auger is perfectly matched to the corresponding earth drills and every task. A constant spiral configuration and a shallow pitch flight guarantee extreme efficiency and productivity. Suitable for excavators from 4.5t / 9,900lbs to 8t / 17,600lbs operating weight, telehandlers and high flow skidsteer loaders.

- ▷ **Higher productivity** by constant spiral configuration and the perfectly angled tooth holder.
- ▷ **Interchangeable pilots and teeth** allow for differing ground conditions.
- ▷ **Easy fitting of teeth and pilots.**
- ▷ **Patented Shock Lock-System:** incorporating a shock absorbing rubber element to protect the tungsten carbide on the tooth assembly coupled with a solid locking pin to prevent tooth loss.
- ▷ **High flexibility** thanks to different auger extensions and telescopic extensions.



S5 Augers (specify choice of pilot and teeth when ordering)

Type	Diameter (mm/in)	Spiral length (mm/in)	Total length (mm/in)	Connection (mm/in)	Weight (kg/lbs)	Number of teeth	Tooth type
S5-150-E Earth					36 / 79.2	0	Earth
S5-150-E Tungsten	150 / 5.9	1,080 / 42.5	1,500 / 59	75 / 2.9 square	36 / 79.2	0	Tungsten
S5-150-E Rock					37 / 81.4	2	Rock
S5-200-E Earth					41 / 90.2	2	Earth
S5-200-E Tungsten	200 / 7.8	977 / 38.4	1,500 / 59	75 / 2.9 square	40 / 88	2	Tungsten
S5-200-E Rock					40 / 88	3	Rock
S5-225-E Earth					45 / 99	2	Earth
S5-225-E Tungsten	225 / 8.8	975 / 38.3	1,500 / 59	75 / 2.9 square	44 / 96.8	2	Tungsten
S5-225-E Rock					44 / 96.8	4	Rock
S5-250-E Earth					46 / 101.2	2	Earth
S5-250-E Tungsten	250 / 9.8	965 / 37.9	1,500 / 59	75 / 2.9 square	46 / 101.2	2	Tungsten
S5-250-E Rock					45 / 99	4	Rock
S5-300-E Earth					51 / 112.2	4	Earth
S5-300-E Tungsten	300 / 11.8	900 / 35.4	1,500 / 59	75 / 2.9 square	51 / 112.2	4	Tungsten
S5-300-E Rock					50 / 110	5	Rock
S5-350-E Earth					56 / 123.2	4	Earth
S5-350-E Tungsten	350 / 13.7	900 / 35.4	1,500 / 59	75 / 2.9 square	56 / 123.2	4	Tungsten
S5-350-E Rock					55 / 121	6	Rock
S5-400-E Earth					62 / 136.4	5	Earth
S5-400-E Tungsten	400 / 15.7	875 / 34.4	1,500 / 59	75 / 2.9 square	61 / 134.2	5	Tungsten
S5-400-E Rock					59 / 129.8	7	Rock
S5-450-E Earth					66 / 145.2	6	Earth
S5-450-E Tungsten	450 / 17.7	750 / 29.5	1,500 / 59	75 / 2.9 square	66 / 145.2	6	Tungsten
S5-450-E Rock					63 / 138.6	8	Rock
S5-500-E Earth					73 / 160.6	6	Earth
S5-500-E Tungsten	500 / 19.6	750 / 29.5	1,500 / 59	75 / 2.9 square	73 / 160.6	6	Tungsten
S5-500-E Rock					73 / 160.6	6	Rock
S5-600-E Earth					84 / 184.8	8	Earth
S5-600-E Tungsten	600 / 23.6	750 / 29.5	1,500 / 59	75 / 2.9 square	84 / 184.8	8	Tungsten
S5-600-E Rock					82 / 180.4	11	Rock
S5-750-E Earth					101 / 222.2	9	Earth
S5-750-E Tungsten	750 / 29.5	700 / 27.5	1,500 / 59	75 / 2.9 square	101 / 222.2	9	Tungsten
S5-750-E Rock					95 / 209	14	Rock
S5-800-E Earth					109 / 239.8	9	Earth
S5-800-E Tungsten	800 / 31.4	700 / 27.5	1,500 / 59	75 / 2.9 square	109 / 239.8	9	Tungsten
S5-800-E Rock					113 / 248.6	15	Rock
S5-900-E Earth					137 / 301.4	10	Earth
S5-900-E Tungsten	900 / 35.4	700 / 27.5	1,500 / 59	75 / 2.9 square	137 / 301.4	10	Tungsten
S5-900-E Rock					133 / 292.6	17	Rock
S5-1000-E Earth					119 / 261.8	11	Earth
S5-1000-E Tungsten	1,000 / 39.3	525 / 20.6	1,500 / 59	75 / 2.9 square	119 / 261.8	11	Tungsten
S5-1000-E Rock					133 / 292.6	19	Rock

Earth Drills 8-15t / 17,600-33,000lbs

12000MAX / 15000MAX

The robust earth drills 12000MAX for excavator from 8t/17,600lbs to 13t/28,600lbs and 15000MAX for excavator from 10t/22,000lbs to 15t/33,000lbs operating weight are an economical and customized solution for drilling holes for e.g. fencing, road signage, landscaping and tree planting. Well borings, screw pile installations and sound barrier installations are also no problem for the earth drills.

- ▷ **Non Dislodgement Shaft (NDS)** for more safety and lower down times, as this unique construction prevents the output shaft from dislodgement.
- ▷ **Pre-filled with a colored gear oil.** Not only is the use of a colored oil a good indicator of correct service, but it also aids identifying possible hydraulic oil leaks.
- ▷ The heavy duty fabricated hoods feature **forged steel ears**; these high strength ears easily transmit the high torsional loads, experienced whilst drilling, without becoming fatigued.
- ▷ **Easy access oil service points.**



12000MAX

15000MAX

Earth Drill 12000MAX / 15000MAX

Type	Shaft (mm/in)	Rotations (RPM)	Height (mm/in)	Diameter (mm/in)	Weight (kg/lbs)	Matching augers
12000MAX	75 / 2.9 square	25 - 54	930 / 36.6	290 / 11.4	172 / 378.4	S6 150 - 1000
15000MAX	75 / 2.9 square	20 - 43	930 / 36.6	290 / 11.4	173 / 380.6	S6 150 - 1200

Package consists of: earth drill

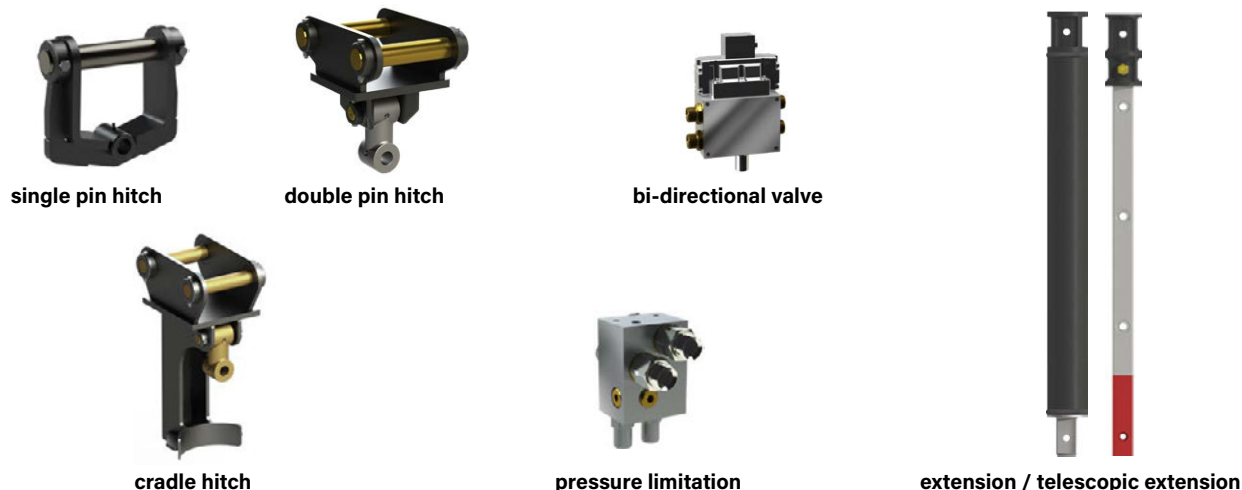
Accessories

Type	Description
S6 Ext-E 1500	extension for earth drills 12000MAX and 15000MAX and S6 augers - 1,500mm/59in length
S6 Ext-E 2000	extension for earth drills 12000MAX and 15000MAX and S6 augers - 2,000mm/78.7in length
S6 Ext-E 2500	extension for earth drills 12000MAX and 15000MAX and S6 augers - 2,500mm/98.4in length
S6 Ext-E 3000	extension for earth drills 12000MAX and 15000MAX and S6 augers - 3,000mm/118.1in length
S6 TeleExt-E 1500	telescopic extension for earth drills 12000MAX and 15000MAX and S6 augers from diameter 300mm/11.8in - 1,500mm/59in length
S6 TeleExt-E 2000	telescopic extension for earth drills 12000MAX and 15000MAX and S6 augers from diameter 300mm/11.8in - 2,000mm/78.7in length
single pin hitch	for earth drills 12000MAX and 15000MAX
double pin hitch	for earth drills 12000MAX and 15000MAX
cradle hitch	for earth drills 12000MAX and 15000MAX
PRV-15000MAX-25000MAX	pressure relief valve kit 240 bar / 3,456 psi
Valve-160LPM	for earth drill 15000MAX to rotate bi-directionally with the hammer hydraulic when there is no double-acting hammer circuit available

Technical data

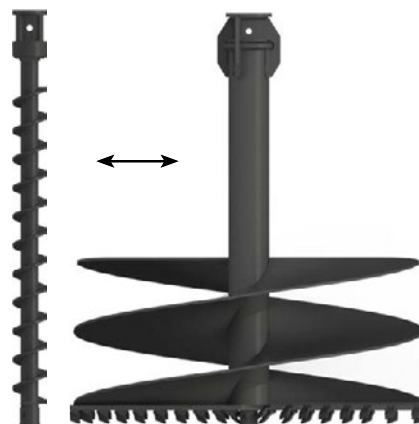
	12000MAX	15000MAX
Hydraulic pressure:	80 - 240 bar / 1,160 - 3,480 psi	80 - 240 bar / 1,160 - 3,480 psi
Oil flow:	80 - 170 l/min / 21 - 44.9 GPM	80 - 170 l/min / 21 - 44.9 GPM
Torque range:	3,998 - 11,995 Nm / 2,948 - 8,846 ft.lbs	5,024 - 15,071 Nm / 3,705 - 11,114 ft.lbs

Options and accessories



The S6 auger is perfectly matched to the corresponding earth drills and every task. A constant spiral configuration and a shallow pitch flight guarantee extreme efficiency and productivity. Suitable for excavators from 8t / 17,600lbs to 15t / 33,000lbs operating weight and backhoes.

- ▷ **Higher productivity** by constant spiral configuration and the perfectly angled tooth holder.
- ▷ **Interchangeable pilots and teeth** allow for differing ground conditions.
- ▷ **Easy fitting of teeth and pilots.**
- ▷ **Patented Shock Lock-System:** incorporating a shock absorbing rubber element to protect the tungsten carbide on the tooth assembly coupled with a solid locking pin to prevent tooth loss.
- ▷ **High flexibility** thanks to different auger extensions and telescopic extensions.



S6 Augers (specify choice of pilot and teeth when ordering)

Type	Diameter (mm/in)	Spiral length (mm/in)	Total length (mm/in)	Connection (mm/in)	Weight (kg/lbs)	Number of teeth	Tooth type
S6-150-E Earth					58 / 116	0	Earth
S6-150-E Tungsten	150 / 5.9	1,320 / 51.9	1,880 / 74	75 / 2.9 square	58 / 116	0	Tungsten
S6-150-E Rock					58 / 116	2	Rock
S6-200-E Earth					55 / 121	2	Earth
S6-200-E Tungsten	200 / 7.8	1,200 / 47.2	1,880 / 74	75 / 2.9 square	59 / 129.8	2	Tungsten
S6-200-E Rock					59 / 129.8	3	Rock
S6-225-E Earth					62 / 136.4	2	Earth
S6-225-E Tungsten	225 / 8.8	1,203 / 47.3	1,880 / 74	75 / 2.9 square	62 / 136.4	2	Tungsten
S6-225-E Rock					62 / 136.4	4	Rock
S6-250-E Earth					67 / 147.4	2	Earth
S6-250-E Tungsten	250 / 9.8	1,225 / 48.2	1,880 / 74	75 / 2.9 square	67 / 147.4	2	Tungsten
S6-250-E Rock					66 / 145.2	4	Rock
S6-300-E Earth					82 / 180.4	4	Earth
S6-300-E Tungsten	300 / 11.8	1,200 / 47.2	1,880 / 74	75 / 2.9 square	82 / 180.4	4	Tungsten
S6-300-E Rock					81 / 178.2	5	Rock
S6-350-E Earth					90 / 198	4	Earth
S6-350-E Tungsten	350 / 13.7	1,125 / 44.2	1,880 / 74	75 / 2.9 square	90 / 198	4	Tungsten
S6-350-E Rock					89 / 195.8	6	Rock
S6-400-E Earth					98 / 215.6	5	Earth
S6-400-E Tungsten	400 / 15.7	1,000 / 39.3	1,880 / 74	75 / 2.9 square	98 / 215.6	5	Tungsten
S6-400-E Rock					97 / 213.4	7	Rock
S6-450-E Earth					111 / 244.2	6	Earth
S6-450-E Tungsten	450 / 17.7	1,000 / 39.3	1,880 / 74	75 / 2.9 square	111 / 244.2	6	Tungsten
S6-450-E Rock					109 / 239.8	8	Rock
S6-500-E Earth					125 / 275	6	Earth
S6-500-E Tungsten	500 / 19.6	1,000 / 39.3	1,880 / 74	75 / 2.9 square	125 / 275	6	Tungsten
S6-500-E Rock					123 / 270.6	9	Rock
S6-600-E Earth					137 / 301.4	8	Earth
S6-600-E Tungsten	600 / 23.6	900 / 35.4	1,880 / 74	75 / 2.9 square	138 / 303.6	8	Tungsten
S6-600-E Rock					136 / 299.2	11	Rock
S6-750-E Earth					168 / 369.6	9	Earth
S6-750-E Tungsten	750 / 29.5	875 / 34.4	1,880 / 74	75 / 2.9 square	168 / 369.6	9	Tungsten
S6-750-E Rock					170 / 374	14	Rock
S6-800-E Earth					189 / 415.8	9	Earth
S6-800-E Tungsten	800 / 31.4	875 / 34.4	1,880 / 74	75 / 2.9 square	189 / 415.8	9	Tungsten
S6-800-E Rock					187 / 411.4	15	Rock
S6-900-E Earth					224 / 492.8	10	Earth
S6-900-E Tungsten	900 / 35.4	875 / 34.4	1,880 / 74	75 / 2.9 square	224 / 492.8	10	Tungsten
S6-900-E Rock					221 / 486.2	17	Rock
S6-1000-E Earth					229 / 503.8	11	Earth
S6-1000-E Tungsten	1,000 / 39.3	700 / 27.5	1,880 / 74	75 / 2.9 square	229 / 503.8	11	Tungsten
S6-1000-E Rock					226 / 497.2	19	Rock
S6-1200-E Earth					316 / 695.2	15	Earth
S6-1200-E Tungsten	1,200 / 47.2	600 / 23.6	1,880 / 74	75 / 2.9 square	316 / 695.2	15	Tungsten
S6-1200-E Rock					316 / 695.2	23	Rock
S6-1500-E Earth					-	-	Earth
S6-1500-E Tungsten	1,500 / 59	600 / 23.6	1,880 / 74	75 / 2.9 square	-	-	Tungsten
S6-1500-E Rock					-	-	Rock

Earth Drills 10-22t / 22,000-48,400lbs 15000MAX / 20000MAX / 25000MAX

The robust earth drills for excavators from 10t / 22,000lbs to 22t / 48,400lbs operating weight is an economical and customized solution for drilling holes for e.g. fencing, road signage, landscaping and tree planting. Well borings, screw pile installations and sound barrier installations are also no problem for the earth drills.

- ▷ **Non Dislodgement Shaft (NDS)** for more safety and lower down times, as this unique construction prevents the output shaft from dislodgement.
- ▷ **Pre-filled with a colored gear oil.** Not only is the use of a colored oil a good indicator of correct service, but it also aids identifying possible hydraulic oil leaks.
- ▷ The heavy duty fabricated hoods feature **forged steel ears**; these high strength ears easily transmit the high torsional loads, experienced whilst drilling, without becoming fatigued.
- ▷ **Easy access oil service points.**
- ▷ Optional for screw pile installation: **torque meter** for real time applied torque measuring.



Request? exc@kinshofer.com

Earth Drills 15000MAX / 20000MAX / 25000MAX

Type	Operating weight (t/lbs)	Shaft (mm/in)	Rotations (RPM)	Height (mm/in)	Diameter (mm/in)	Weight (kg/lbs)	Matching augers
15000MAX	10 - 15 / 22,000 - 33,000	75 / 2.9 square	20 - 43	930 / 36.6	290 / 11.4	173 / 381	S6 150 - 1200
20000MAX	13 - 20 / 28,600 - 44,000	75 / 2.9 square	16 - 33	1,130 / 44.5	345 / 13.6	268 / 590	S6 150 - 1200
25000MAX	15 - 22 / 33,000 - 48,400	75 / 2.9 square	12 - 26	1,130 / 44.5	345 / 13.6	269 / 592	S6 150 - 1500

Package consists of: earth drill

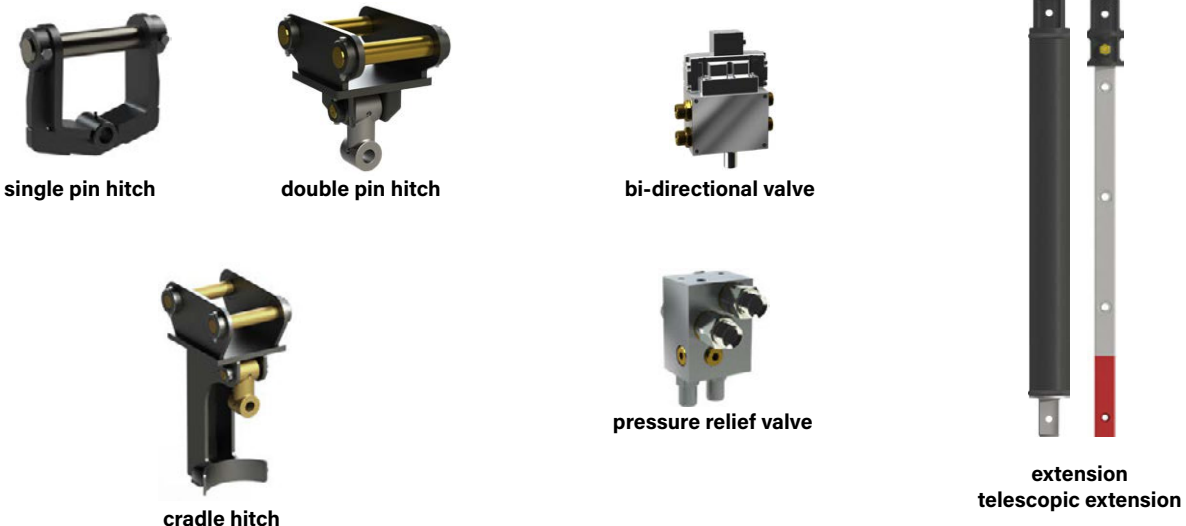
Accessories

Type	Description
S6 Ext-E 1500	extension for earth drills 15000MAX to 25000MAX and S6 augers – 1,500mm / 59.1in length
S6 Ext-E 2000	extension for earth drills 15000MAX to 25000MAX and S6 augers – 2,000mm / 78.7in length
S6 Ext-E 2500	extension for earth drills 15000MAX to 25000MAX and S6 augers – 2,500mm / 98.4in length
S6 Ext-E 3000	extension for earth drills 15000MAX to 25000MAX and S6 augers – 3,000mm / 118.1in length
single pin hitch	for earth drills 15000MAX to 25000MAX
double pin hitch	for earth drills 15000MAX to 25000MAX
cradle hitch	for earth drills 15000MAX to 25000MAX
PRV-15000MAX-25000MAX	pressure relief valve for earth drills 15000MAX to 25000MAX

Technical data

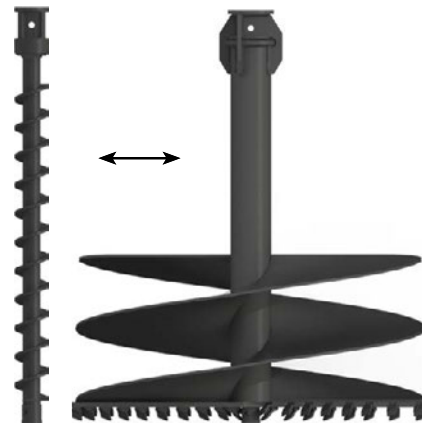
	15000MAX	20000MAX	25000MAX
Hydraulic pressure:	80 - 240 bar / 1,160 - 3,480 psi	160 - 240 bar / 2,320 - 3,480 psi	160 - 240 bar / 2,320 - 3,480 psi
Oil flow:	80 - 170 l/min / 21 - 45 GPM	80 - 170 l/min / 21 - 45 GPM	80 - 170 l/min / 21 - 45 GPM
Torque range:	5,024 - 15,071 Nm / 3,705.2 - 11,114.9 ft.lbs.	13,043 - 19,564 Nm / 9,619.2 - 14,428.5 ft.lbs.	16,503 - 24,755 Nm / 12,171 - 18,256.8 ft.lbs.

Pictures



The S6 auger is perfectly matched to the corresponding earth drills and every task. A constant spiral configuration and a shallow pitch flight guarantee extreme efficiency and productivity.

- ▷ **Higher productivity** by constant spiral configuration and the perfectly angled tooth holder.
- ▷ **Interchangeable pilots and teeth** allow for differing ground conditions.
- ▷ **Easy fitting of teeth and pilots.**
- ▷ **Patented Shock Lock-System:** incorporating a shock absorbing rubber element to protect the tungsten carbide on the tooth assembly coupled with a solid locking pin to prevent tooth loss.
- ▷ **High flexibility** thanks to different auger extensions and telescopic extensions.



S6 Augers (specify choice of pilot and teeth when ordering)

Type	Diameter (mm/in)	Spiral length (mm/in)	Total length (mm/in)	Connection (mm/in)	Weight (kg/lbs)	Number of teeth	Tooth type
S6-150-E Earth					58 / 128	0	Earth
S6-150-E Tungsten	150 / 5.9	1,320 / 52.0	1,880 / 74	75 / 2.9 square	58 / 128	0	Tungsten
S6-150-E Rock					58 / 128	2	Rock
S6-200-E Earth					55 / 121	2	Earth
S6-200-E Tungsten	200 / 7.9	1,200 / 47.2	1,880 / 74	75 / 2.9 square	59 / 130	2	Tungsten
S6-200-E Rock					59 / 130	3	Rock
S6-225-E Earth					62 / 136	2	Earth
S6-225-E Tungsten	225 / 8.9	1,203 / 47.4	1,880 / 74	75 / 2.9 square	62 / 136	2	Tungsten
S6-225-E Rock					62 / 136	4	Rock
S6-250-E Earth					67 / 147	2	Earth
S6-250-E Tungsten	250 / 9.8	1,225 / 48.2	1,880 / 74	75 / 2.9 square	67 / 147	2	Tungsten
S6-250-E Rock					66 / 145	4	Rock
S6-300-E Earth					82 / 180	4	Earth
S6-300-E Tungsten	300 / 11.8	1,200 / 47.2	1,880 / 74	75 / 2.9 square	82 / 180	4	Tungsten
S6-300-E Rock					81 / 178	5	Rock
S6-350-E Earth					90 / 198	4	Earth
S6-350-E Tungsten	350 / 13.8	1,125 / 44.3	1,880 / 74	75 / 2.9 square	90 / 198	4	Tungsten
S6-350-E Rock					89 / 196	6	Rock
S6-400-E Earth					98 / 216	5	Earth
S6-400-E Tungsten	400 / 15.7	1,000 / 39.4	1,880 / 74	75 / 2.9 square	98 / 216	5	Tungsten
S6-400-E Rock					97 / 213	7	Rock
S6-450-E Earth					111 / 244	6	Earth
S6-450-E Tungsten	450 / 17.7	1,000 / 39.4	1,880 / 74	75 / 2.9 square	111 / 244	6	Tungsten
S6-450-E Rock					109 / 240	8	Rock
S6-500-E Earth					125 / 275	6	Earth
S6-500-E Tungsten	500 / 19.7	1,000 / 39.4	1,880 / 74	75 / 2.9 square	125 / 275	6	Tungsten
S6-500-E Rock					123 / 271	9	Rock
S6-600-E Earth					137 / 301	8	Earth
S6-600-E Tungsten	600 / 23.6	900 / 35.4	1,880 / 74	75 / 2.9 square	138 / 304	8	Tungsten
S6-600-E Rock					136 / 299	11	Rock
S6-750-E Earth					168 / 370	9	Earth
S6-750-E Tungsten	750 / 29.5	875 / 34.4	1,880 / 74	75 / 2.9 square	168 / 370	9	Tungsten
S6-750-E Rock					170 / 374	14	Rock
S6-800-E Earth					189 / 416	9	Earth
S6-800-E Tungsten	800 / 31.5	875 / 34.4	1,880 / 74	75 / 2.9 square	189 / 416	9	Tungsten
S6-800-E Rock					187 / 411	15	Rock
S6-900-E Earth					224 / 493	10	Earth
S6-900-E Tungsten	900 / 35.4	875 / 34.4	1,880 / 74	75 / 2.9 square	224 / 493	10	Tungsten
S6-900-E Rock					221 / 486	17	Rock
S6-1000-E Earth					229 / 504	11	Earth
S6-1000-E Tungsten	1,000 / 39.4	700 / 27.6	1,880 / 74	75 / 2.9 square	229 / 504	11	Tungsten
S6-1000-E Rock					226 / 497	19	Rock
S6-1200-E Earth					316 / 695	15	Earth
S6-1200-E Tungsten	1,200 / 47.2	600 / 23.6	1,880 / 74	75 / 2.9 square	316 / 695	15	Tungsten
S6-1200-E Rock					316 / 695	23	Rock
S6-1500-E Earth					-	-	Earth
S6-1500-E Tungsten	1,500 / 59.1	600 / 23.6	1,880 / 74	75 / 2.9 square	-	-	Tungsten
S6-1500-E Rock					-	-	Rock

Earth Drills 20-45t / 44,000-99,000lbs 35000MAX / 42000MAX / 65000MAX

The robust earth drills for excavators from 20t / 44,000lbs to 45t / 99,000lbs operating weight is an economical and customized solution for drilling holes for e.g. fencing, road signage, landscaping and tree planting. Well borings, screw pile installations and sound barrier installations are also no problem for the earth drills.

- ▷ **Non Dislodgement Shaft (NDS)** for more safety and lower down times, as this unique construction prevents the output shaft from dislodgement.
- ▷ **Pre-filled with a colored gear oil.** Not only is the use of a colored oil a good indicator of correct service, but it also aids identifying possible hydraulic oil leaks.
- ▷ The heavy duty fabricated hoods feature **forged steel ears**; these high strength ears easily transmit the high torsional loads, experienced whilst drilling, without becoming fatigued.
- ▷ **Easy access oil service points.**
- ▷ Optional for screw pile installation: **Alignment monitor** for vertical adjustment.



Request? exc@kinshofer.com

Earth Drills 35000MAX / 42000MAX / 65000MAX

Type	Operating weight (t/lbs)	Shaft (mm/in)	Rotations (RPM)	Height (mm/in)	Diameter (mm/in)	Weight (kg/lbs)	Matching augers
35000MAX	20 - 45 / 44,000 - 99000	110 / 4.3 square	11 - 31	1,411 / 55.6	406 / 16	442 / 972	PA 300 - 1500
42000MAX	20 - 45 / 44,000 - 99000	110 / 4.3 square	9 - 26	1,411 / 55.6	406 / 16	442 / 972	PA 300 - 1800
65000MAX	21 - 45 / 46200 - 99,000	110 / 4.3 square	8 - 21	1,556 / 61.3	406 / 16	480 / 1,056	PA 300 - 2400

Package consists of: earth drill

Accessories

Type	Description
PA Ext 2000	extension for earth drills 35000MAX to 65000MAX and PA augers – 2,000mm / 78.7in length
PA Ext 3000	extension for earth drills 35000MAX to 65000MAX and PA augers – 3,000mm / 118.1in length
PA TeleExt 2000	telescopic extension for PA augers – 2,000mm / 78.7in length
PA TeleExt 3000	telescopic extension for PA augers – 3,000mm / 118.1in length
single pin hitch	for earth drills 35000MAX to 65000MAX
adapter plate	for earth drills 35000MAX to 65000MAX
cradle hitch	for earth drills 35000MAX to 65000MAX

Technical data

	35000MAX	42000MAX	65000MAX
Hydraulic pressure:	180 - 310bar / 2,610 - 4,500 psi	180 - 310bar / 2,610 - 4,500 psi	160 - 320bar / 2,320 - 4,640 psi
Oil flow:	80 - 225 l/min / 21 - 59.5 GPM	80 - 225 l/min / 21 - 59.5 GPM	100 - 280 l/min / 26.5 - 74 GPM
Torque range:	20,510 - 35,323 Nm / 15,126.1 - 26,050.7 ft.lbs.	24,612 - 42,387 Nm / 18,151.4 - 31,260.4 ft.lbs.	33,295 - 66,589 Nm / 24,555.1 - 49,109.4 ft.lbs

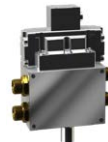
Pictures



single pin hitch



adapter plate



bi-directional valve



cradle hitch



pressure relief valve



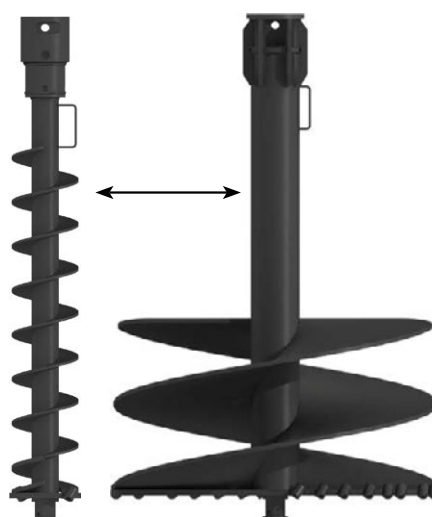
extension
telescopic extension

Heavy Duty Augers

PA

The PA auger is perfectly matched to the corresponding earth drills and every task. A constant spiral configuration and a shallow pitch flight guarantee extreme efficiency and productivity.

- ▷ **Higher productivity** by constant spiral configuration and the perfectly angled tooth holder.
- ▷ **Interchangeable pilots and teeth** allow for differing ground conditions.
- ▷ **Easy fitting of teeth and pilots.**
- ▷ **Patented Shock Lock-System:** incorporating a shock absorbing rubber element to protect the tungsten carbide on the tooth assembly coupled with a solid locking pin to prevent tooth loss.
- ▷ **High flexibility** thanks to different auger extensions and telescopic extensions.
- ▷ Available in two lengths: 2,380mm / 93.7in or 3,380mm / 133.1in.



PA Augers 2380 mm (specify choice of pilot and teeth when ordering)

Type	Diameter (mm/in)	Spiral length (mm/in)	Total length (mm/in)	Connection (mm/in)	Weight (kg/lbs)	Number of teeth	Tooth type
PA-300-2380 Earth	300 / 11.8	1,558 / 61.3	2,380 / 93.7	110 / 4.3 square	165 / 363	3	Earth
PA-300-2380 Rock					165 / 363	3	Rock
PA-350-2380 Earth	350 / 13.8	1,527 / 60.1	2,380 / 93.7	110 / 4.3 square	177 / 389	3	Earth
PA-350-2380 Rock					177 / 389	3	Rock
PA-400-2380 Earth	400 / 15.7	1,446 / 56.9	2,380 / 93.7	110 / 4.3 square	190 / 418	4	Earth
PA-400-2380 Rock					190 / 418	4	Rock
PA-450-2380 Earth	450 / 17.7	1,446 / 56.9	2,380 / 93.7	110 / 4.3 square	211 / 464	4	Earth
PA-450-2380 Rock					211 / 464	4	Rock
PA-500-2380 Earth	500 / 19.7	1,446 / 56.9	2,380 / 93.7	110 / 4.3 square	235 / 517	5	Earth
PA-500-2380 Rock					235 / 517	5	Rock
PA-600-2380 Earth	600 / 23.6	1,433 / 56.4	2,380 / 93.7	110 / 4.3 square	167 / 367	6	Earth
PA-600-2380 Rock					167 / 367	6	Rock
PA-750-2380 Earth	750 / 29.5	1,321 / 52.0	2,380 / 93.7	110 / 4.3 square	318 / 399	7	Earth
PA-750-2380 Rock					318 / 399	7	Rock
PA-800-2380 Earth	800 / 31.5	1,321 / 52.0	2,380 / 93.7	110 / 4.3 square	344 / 756	8	Earth
PA-800-2380 Rock					344 / 756	8	Rock
PA-900-2380 Earth	900 / 35.4	1,321 / 52.0	2,380 / 93.7	110 / 4.3 square	412 / 906	10	Earth
PA-900-2380 Rock					412 / 906	10	Rock
PA-1000-2380 Earth	1,000 / 39.4	971 / 38.2	2,380 / 93.7	110 / 4.3 square	140 / 308	10	Earth
PA-1000-2380 Rock					140 / 308	10	Rock
PA-1200-2380 Earth	1,200 / 47.2	908 / 35.7	2,380 / 93.7	110 / 4.3 square	522 / 1,148	12	Earth
PA-1200-2380 Rock					522 / 1,148	12	Rock
PA-1500-2380-Earth	1,500 / 59.1	750 / 29.5	2,380 / 93.7	110 / 4.3 square	735 / 1,617	15	Erde
PA-1500-2380-Rock					735 / 1,617	15	Fels

PA Augers 3380 mm (specify choice of pilot and teeth when ordering)

Type	Diameter (mm/ in)	Spiral length (mm/ in)	Total length (mm/ in)	Connection (mm/in)	Tooth type
PA-300-3380 Earth	300 / 11.8	1,558 / 61.3	3,380 / 133.1	110 / 4.3 square	Earth
PA-300-3380 Rock					Rock
PA-350-3380 Earth	350 / 13.8	1,527 / 60.1	3,380 / 133.1	110 / 4.3 square	Earth
PA-350-3380 Rock					Rock
PA-400-3380 Earth	400 / 15.7	1,446 / 56.9	3,380 / 133.1	110 / 4.3 square	Earth
PA-400-3380 Rock					Rock
PA-450-3380 Earth	450 / 17.7	1,446 / 56.9	3,380 / 133.1	110 / 4.3 square	Earth
PA-450-3380 Rock					Rock
PA-500-3380 Earth	500 / 19.7	1,446 / 56.9	3,380 / 133.1	110 / 4.3 square	Earth
PA-500-3380 Rock					Rock
PA-600-3380 Earth	600 / 23.6	1,433 / 56.4	3,380 / 133.1	110 / 4.3 square	Earth
PA-600-3380 Rock					Rock
PA-750-3380 Earth	750 / 29.5	1,321 / 52	3,380 / 133.1	110 / 4.3 square	Earth
PA-750-3380 Rock					Rock
PA-800-3380 Earth	800 / 31.5	1,321 / 52	3,380 / 133.1	110 / 4.3 square	Earth
PA-800-3380 Rock					Rock
PA-900-3380 Earth	900 / 35.4	1,321 / 52	3,380 / 133.1	110 / 4.3 square	Earth
PA-900-3380 Rock					Rock
PA-1000-3380 Earth	1,000 / 39.4	971 / 38.2	3,380 / 133.1	110 / 4.3 square	Earth
PA-1000-3380 Rock					Rock
PA-1200-3380 Earth	1,200 / 47.2	908 / 35.7	3,380 / 133.1	110 / 4.3 square	Earth
PA-1200-3380 Rock					Rock

 Request? exc@kinshofer.com

Torque Heads 21-50t / 46,200-110,000lbs

100000MAX / 150000MAX

The Heavy Duty drives are specifically designed for foundation screw pile installations and available for excavators with 21t/46,200lbs up to 50t/110,000lbs operating weight. The screw pile drives are manufactured according to the highest quality standards in terms of technology and materials, providing the end user with the highest level of reliability.

- ▷ **Non Dislodgement Shaft (NDS)** for more safety and lower down times, as this unique construction prevents the output shaft from dislodgement.
- ▷ **Pre-filled with a colored gear oil.** Not only is the use of a colored oil a good indicator of correct service, but it also aids identifying possible hydraulic oil leaks.
- ▷ The heavy duty fabricated hoods feature **forged steel ears**; these high strength ears easily transmit the high torsional loads, experienced whilst drilling, without becoming fatigued.
- ▷ **Easy access oil service points.**
- ▷ Optional for screw pile installation: **Alignment monitor** for vertical adjustment.



150000MAX

Request? exc@kinshofer.com

Torque Heads 100000MAX / 150000MAX

Type	Operating weight (t/lbs)	Shaft	Rotations (RPM)	Height (mm/in)	Diameter (mm/in)	Weight (kg/lbs)
100000MAX	21 - 50 / 46,200 - 110,000	150 mm hex/ 5.9 in	5 - 15	1,625 / 63.9	635 / 25	1,060 / 2,335
150000MAX	21 - 50 / 46,200 - 110,000	150 mm hex/ 5.9 in	4 - 12	1,865 / 73.4	765 / 30	1,490 / 3,278

Package consists of: torque heads

Accessories

Type	Description
double pin hitch	for torque heads
cradle hitch	for torque heads

Technical data

	100000MAX	150000MAX
Hydraulic pressure:	160 - 350 bar / 2,321 - 5,076 psi	160 - 340 bar / 2,321 - 4,931 psi
Oil flow:	100 - 280 l/min / 26.4 - 74 GPM	100 - 340 l/min / 26.4 - 89.8 GPM
Torque range:	45,746 - 100,069 Nm / 33,741 - 73,807 ft.lbs.	71,680 - 152,319 Nm / 52,868 - 112,344 ft.lbs.

Pictures



cradle hitch



In-Site Monitor